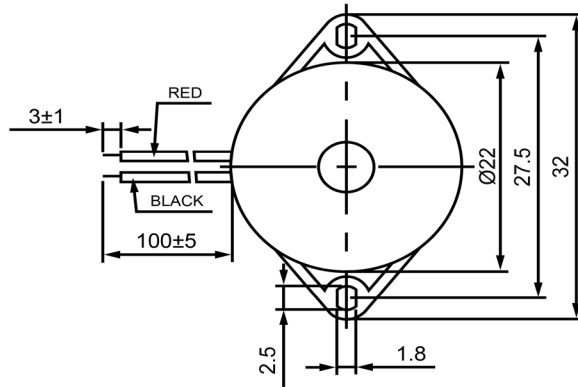
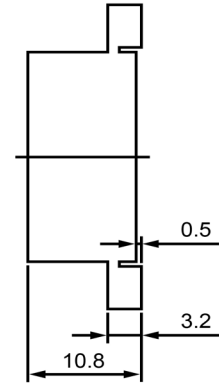



TOP VIEW



SIDE VIEW



Specifications			Notes	Revision History					
Description	Value	Unit		Version	Description	Date	Approved		
Technology	Piezo		1) All dimensions are in mm unless otherwise noted 2) All parts meet RoHS 	1	Released from Engineering	10/21/2013	J.S		
Resonant Frequency	4,500	(Hz)							
Rated Voltage	12	(V)							
SPL @ 10cm	90	(dBA)							
Tone	Single Tone								
Mount Type	Flange								
Voltage Range	3 ~ 30	(V)							
Max Rated Current	5	(mA)							
Housing Material	ABS								
Operating Temperature	-20 ~ +60	°C							
Storage Temperature	-30 ~ +70	°C							
Weight	4	(g)							
				Piezo Indicator		IP224512-2			
				Drawn by	Date	Checked by	Date	Approved by	Date
				A.B.	10/21/2013	C.E.	10/21/2013	J.S	10/21/2013